



# **OWNERS MANUAL**

**FOR PROFESSIONAL POPCORN MACHINE**

**MODEL:**

**PREMIERE - 6**

6 ounce popcorn machine – 120 volt

**PART NUMBER:**

**11068**

**INCLUDED:**

**OPERATING INSTRUCTIONS**

**SCHEMATICS**

**WIRING DIAGRAMS**

**PARTS LIST**

**WARRANTY INFORMATION**

# OPERATING INSTRUCTIONS

1. Plug the machine into a properly grounded 120 volt power supply.
2. Install a 50 watt or smaller light bulb in the socket in the chassis (not necessary for operation). For best results use a 50 watt R20 mini flood bulb.
3. Turn on the “MASTER” switch and the interior lamp will come on.
4. Turn on the “KETTLE” switch and the heat to the kettle and the agitating motor will be activated. Wait approximately 5 minutes to allow the kettle to get up to operating temperature.
5. Place  $\frac{3}{4}$  cup of raw popcorn kernels,  $\frac{1}{3}$  cup of cooking oil and 1 teaspoon of seasoning salt into the kettle and lower the kettle lid. (*use Benchmark USA part # 42004 – Popcorn measure kit*)
6. Allow the corn to pop until the popping ceases (3 seconds between pops) then dump the kettle by turning the handle clock-wise and pulling downward.
7. For additional batches repeat steps 5 & 6. It will not be necessary to wait 5 minutes since the kettle will already be up to operating temperature.
8. After popping the final batch, turn off the “KETTLE” switch and with a damp cloth wipe any excess oil from the inside and outside of the kettle to prevent burned on oil stains. Use caution as the kettle will be HOT!
9. If you leave the “MASTER” switch in the on position, the interior lamp will remain on and serve as a reminder that the popper is on.

## KETTLE CARE

**CAUTION: NEVER SUBMERGE THE KETTLE IN ANY LIQUID! IT WILL SHORT OUT THE ELECTRONIC COMPONENTS INSIDE OF IT AND VOID THE WARRANTY!**

1. Always turn off the “KETTLE” switch after popping the final batch of a session. Leaving it on will burn any residue oil that is left in the kettle.
2. For routine cleaning: After popping the final batch of a session, use a damp cloth to wipe the excess oil from the interior and exterior of the kettle.
3. Benchmark USA kettles are anodized to create an easy cleaning, non-stick surface. However, if excess oil is not removed it will eventually carbonize on the surface. For heavily built-up carbon removal it is recommended to use (*Benchmark USA part # 43001 – kettle cleaning kit*).

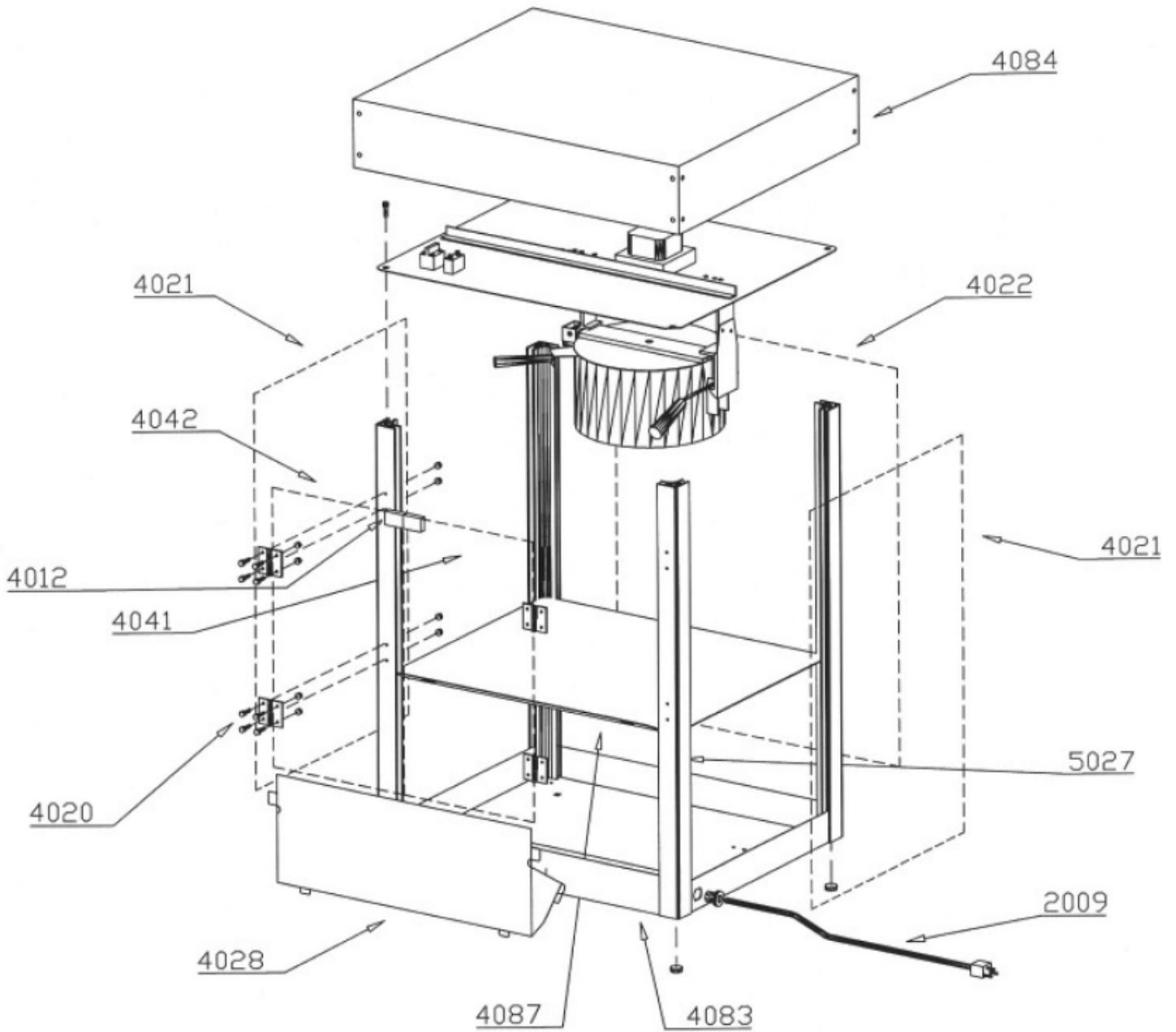
## CABINET CARE

**Always unplug the machine from the power supply before cleaning!**

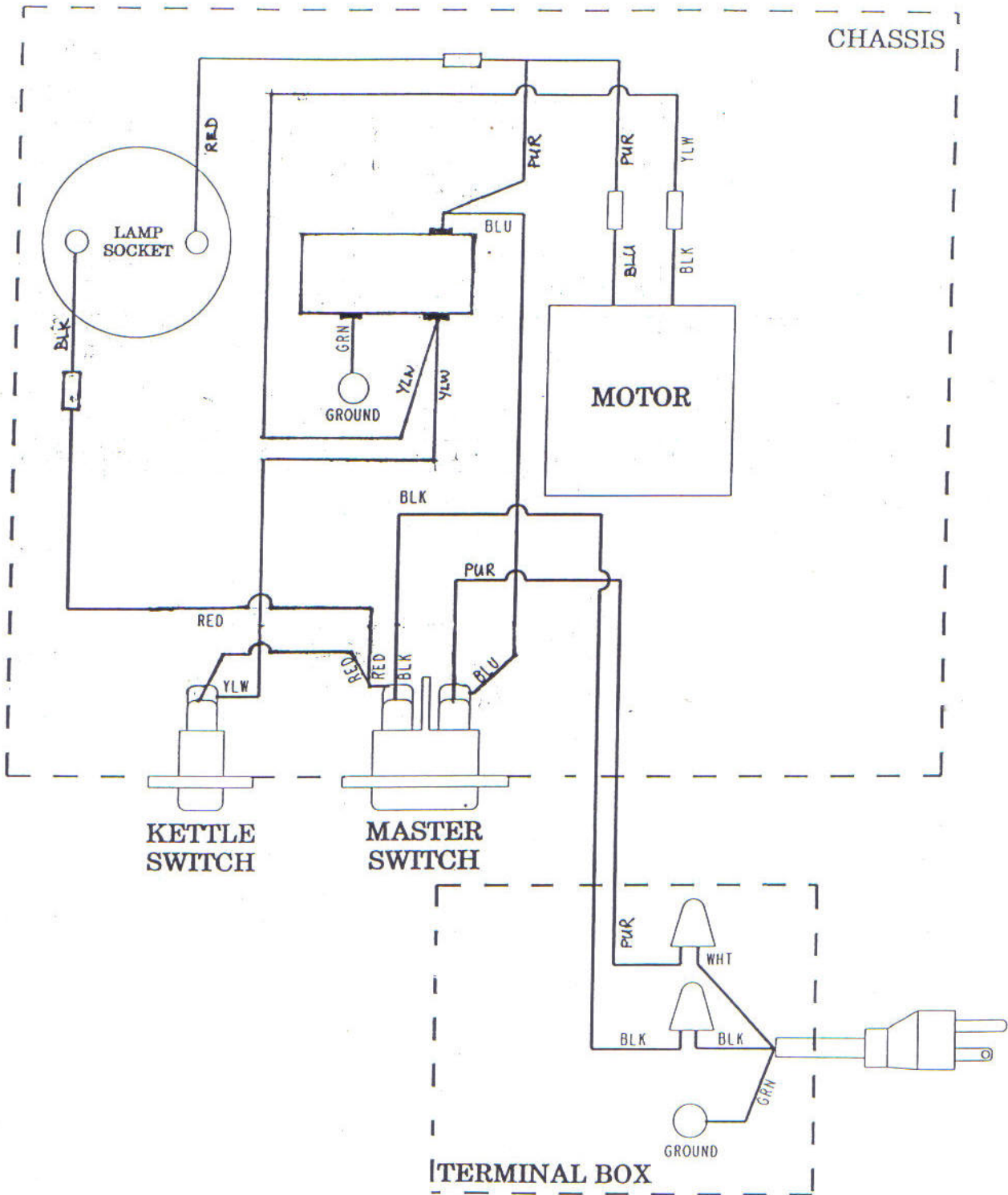
1. The bottom tray and drop door are removable for easy cleaning in a sink or dishwasher. Use a mild detergent and water.
2. Use a standard glass cleaner for the glass panels and corner posts.

# POPPER ASSEMBLY

(Complete parts list on page 7)

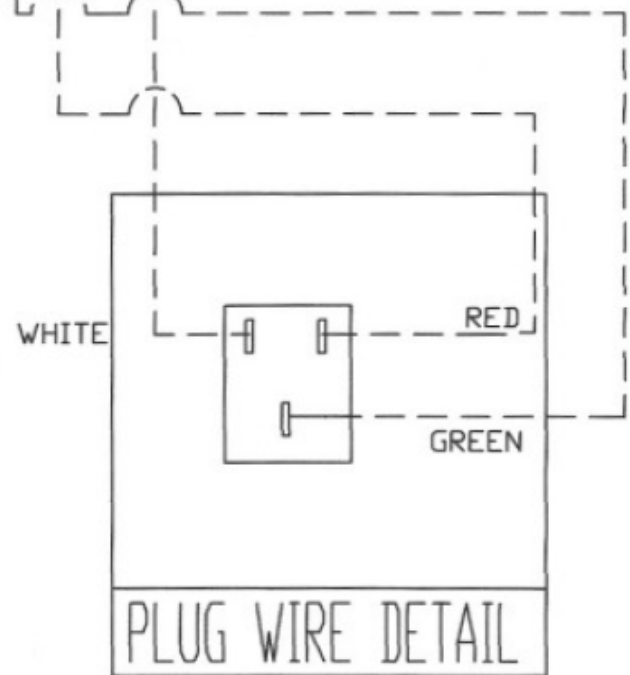
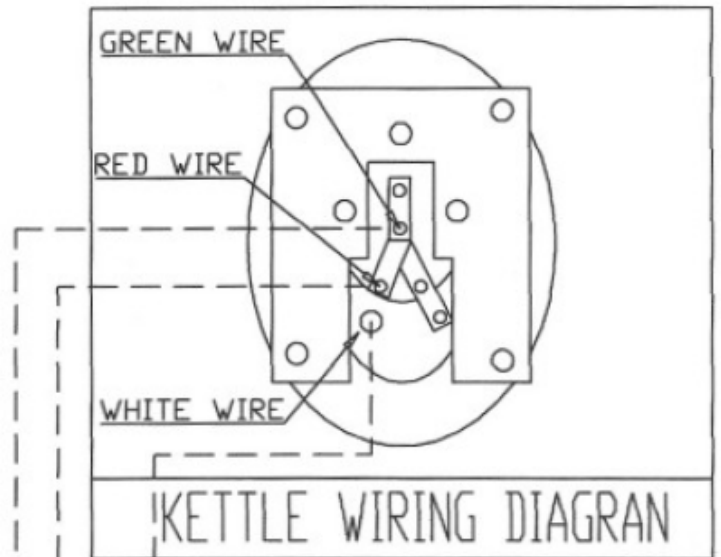
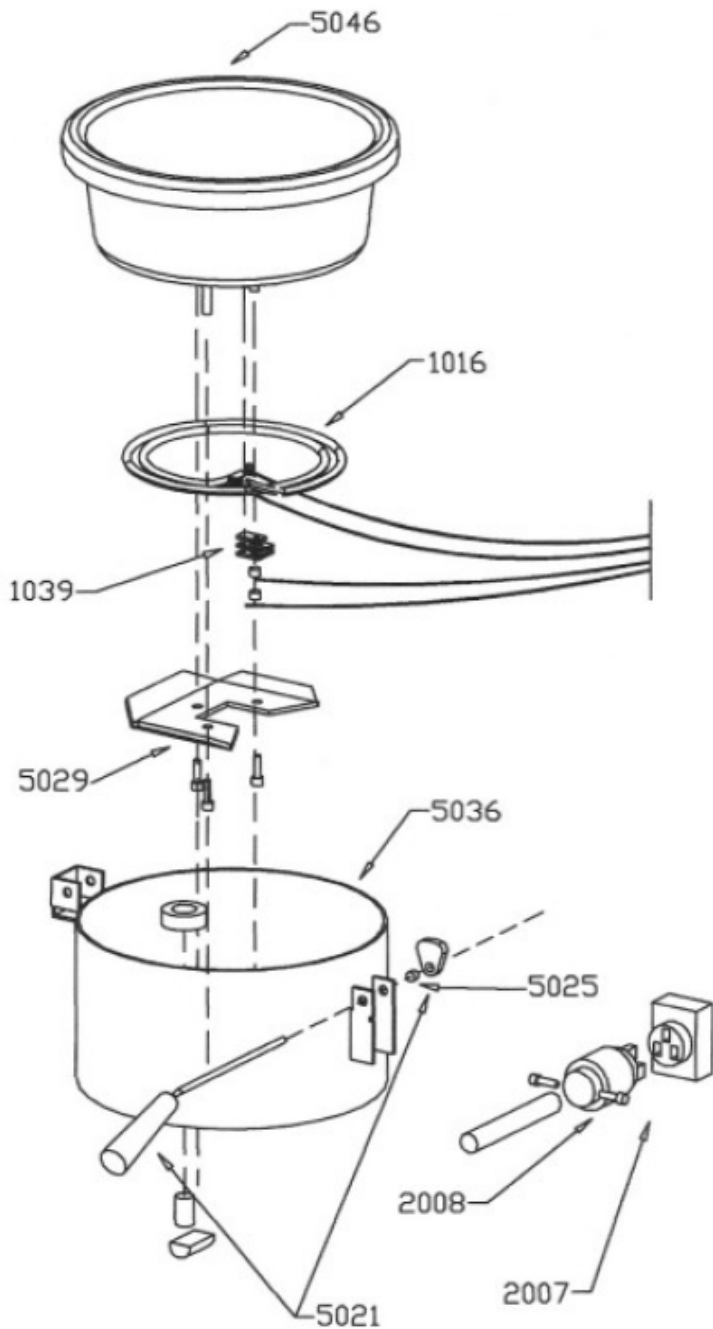


# PREMIERE WIRING DIAGRAM



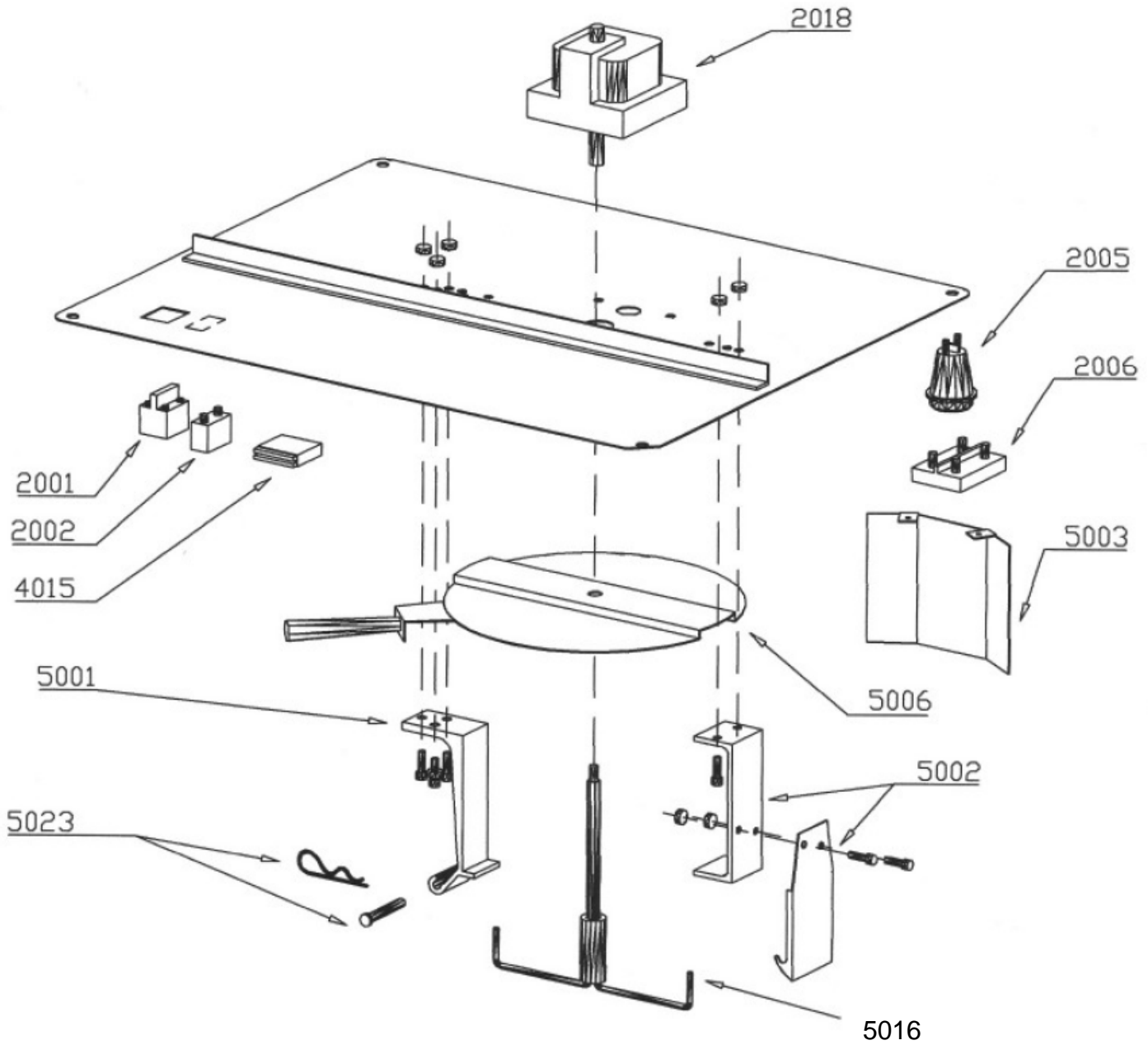
# PREMIERE KETTLE ASSEMBLY

(Complete parts list on page 7)



# PREMIERE CHASSIS ASSEMBLY

(Complete parts list on page 7)



# PARTS LIST

P/N	Description
0014	4 ounce kettle -120 volt
0024	4 ounce kettle -240 volt
0016	6 ounce kettle -120 volt
0026	6 ounce kettle -240 volt
1002	Chassis Assembly
1004	Wiring Diagram
1014	800w kettle element -120 volt
1024	800w kettle element -240 volt
1016	1000w kettle element -120 volt
1026	1000w kettle element -240 volt
1039	Thermostat
2001	Power switch
2005	Lamp socket
2006	Kettle socket
2008	Kettle pigtail w/plug
2009	Power cord w/plug
2018	120 volt (50/60 hz) gearmotor
2028	240 volt (50/60 hz) gearmotor
3002	Cart handle
3003	Cart wheel
3004	Cart wheel clips
3005	Cart axle
3006	Cart leg - short
3008	Cart shelf
3009	Cart body
4021	Side glass
4022	Front glass
4003	Glass channel set

P/N	Description
4028	Drop door
4042	Left door
4041	Right door
4012	Door handle
4083	Base - complete
4084	Premier Canopy
4087	Bottom product tray
4088	Door Decal - Premiere 4
4089	Door Decal - Premiere 6
5001	Left kettle hanger
5004	4 ounce kettle lid
5006	6 ounce kettle lid
5014	4 ounce kettle stirrer
5016	6 ounce kettle stirrer
5021	Kettle handle complete
5022	Kettle handle spring
5023	Kettle hinge-pin/clip
5025	Kettle lid magnet
5027	Corner Post
5029	Heater Clamp
5030	Chassis
5034	4 oz. Kettle jacket
5036	6 oz. Kettle jacket
5044	4 oz. kettle inner
5046	6 oz. kettle inner

## To Order Parts Contact:

**Benchmark USA, Inc.**

P.O. Box 5053

Ames, IA 50010 USA

Tel: 515-232-5500

Fax: 515-232-5505

Email: [parts@benchmarkusainc.com](mailto:parts@benchmarkusainc.com)



## ***Three Year Warranty***

### **THE WARRANTY:**

Benchmark USA warrants the original purchaser of new food equipment manufactured by Benchmark USA to be free from defects in material or workmanship from the date of the original purchase for a period of three years.

### **WHO IS COVERED BY THIS WARRANTY:**

The original purchaser who has provided proper proof of the original retail purchase and all other requested information.

### **WHAT IS WARRANTIED:**

The obligation of Benchmark USA under this warranty is limited to the replacement of any parts or components that in the opinion of Benchmark USA are defective, F.O.B. the factory, or at any other location that Benchmark USA may designate.

### **WHAT VOIDS THE WARRANTY:**

1. Any piece of equipment that has been installed, operated or maintained inconsistently with Benchmark USA operating instructions.
2. Any part or component that has been modified, changed or altered from its original configuration.
3. Any electrical component that has been damaged due to submergence in any liquid.
4. Any part or component that has been subject to abuse, misuse, neglect or accidents.

### **EXTENT OF WARRANTY:**

Any defective component, part or assembly returned to Benchmark USA will be replaced by Benchmark USA. Benchmark USA will not be responsible for any expenses incurred by the customer under the terms of this warranty, nor shall it be responsible for any damages either consequential, special, contingent, or otherwise; or expenses or injury arising directly or indirectly from the use of a Benchmark USA product. Any component, part or assembly returned to Benchmark USA must be returned at the customers expense along with proof of purchase. Benchmark USA reserves the right to determine whether the terms of this warranty have been properly complied with. In the event that the terms are not complied with, Benchmark USA shall be under no obligation to honor this warranty.